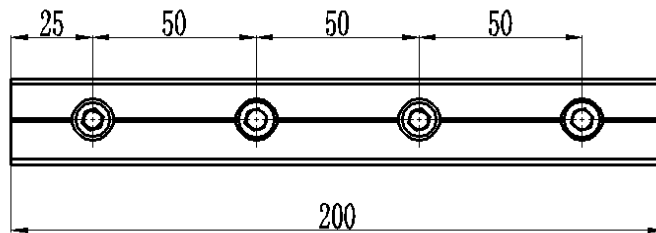
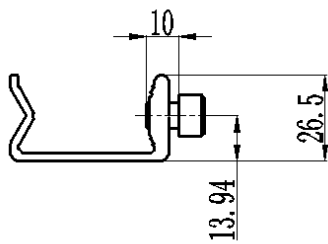
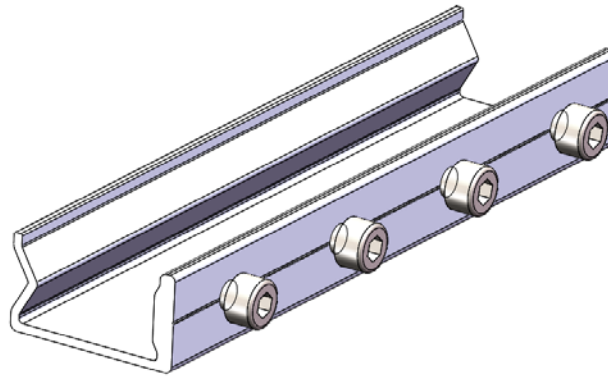


Product Specification

SLCJ2



Name	Channel Joiner -External joiner
SunLock Code	SLCJ2
Weight	0.201 kg
BOM	Commercial Mounting Channel Joiner M8x10 Socket head cap screw
Packing	32 PCS
Carton size	260*232*160