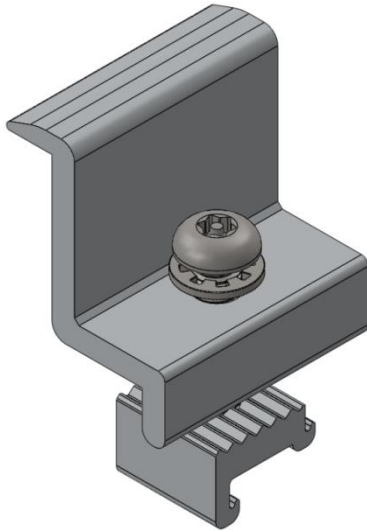


		created	JM
		checked	JL
Tech. Bulletin	Rev. Nr.	Anti-theft Fixings	
	1.1		

INTRODUCTION

SunLock end-clamps are available in anti-theft (AT) versions, which use a pin Torx fastener instead of the standard socket head cap screw. The pin Torx fastener is manufactured from grade A2 (304) stainless steel.

Alternatively, the Torx fasteners can be purchased separately (in boxes of 100).



Clamp	Replacement AT screw
SLECxxx	SLATSM8x25
SLECFxxx	SLATSM8x35
SLMC024	SLATSM8x50
SLMC026	SLATSM8x60

GUIDE TO USE

The AT versions of the end-clamps are identical in use to the standard versions, except for the requirement to use a T40 pin security Torx driver bit.

TECHNICAL & SUPPLY CHAIN INFORMATION

Sales code	<p>End Clamps: SLEC003AT, SLEC004AT, SLEC006AT, SLECF35AT SLECF38AT, SLECF45AT</p> <p>Anti-Theft Screws: SLATSM8x25, SLATSM8x35, SLATSM8x50, SLATSM8x60</p> <p>Torx Driver: T40H-Driver</p>
Material	Aluminium 6101-T6, with stainless steel fasteners.
Australian Standard Certification	Certificate of structural adequacy to AS/NZS1170.2:2012 as included in the SunLock installation manual.

FURTHER INFORMATION

For further information contact Apollo Energy on 1300 855 484 or info@sunlock.com.au.